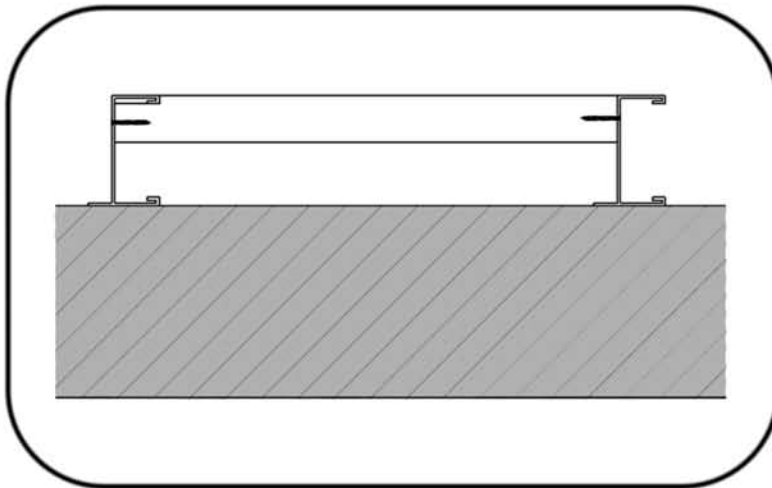
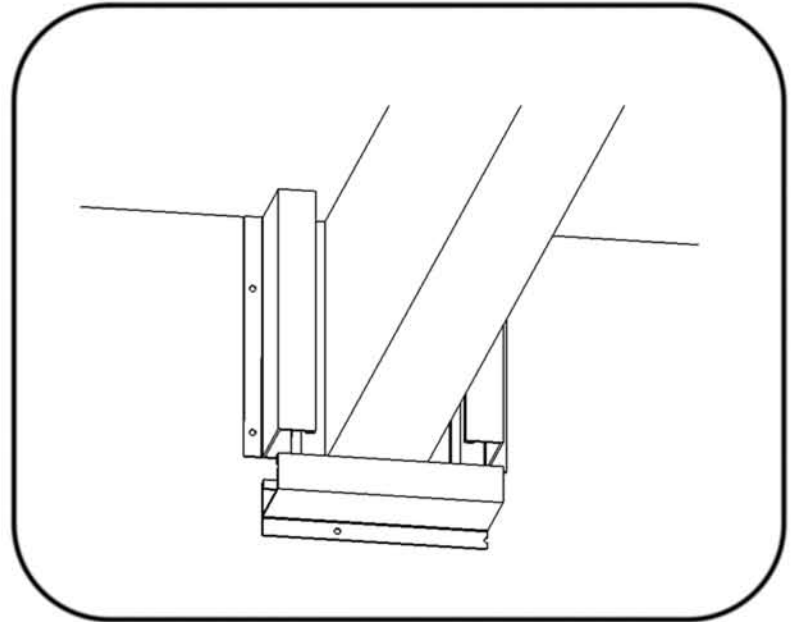


Framing Around Various Objects

When framing around beams, plumbing, or other objects, use the technique described here.

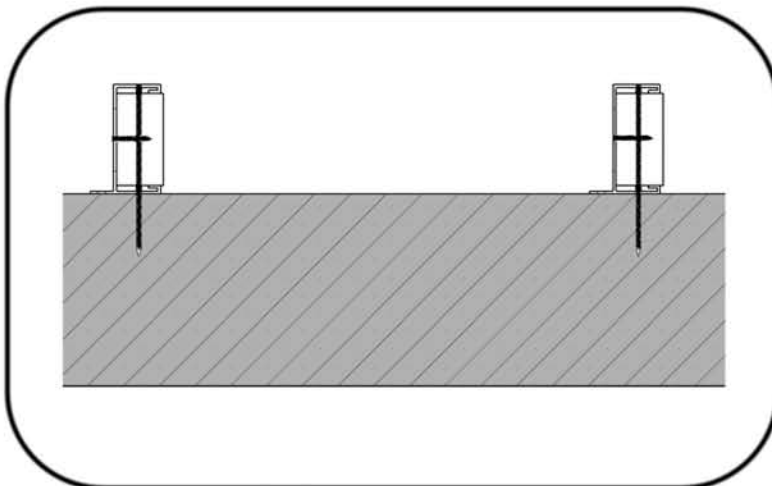
Cut EcoStuds to fit loosely around the object. This will allow for drywall backing and the gap will allow you enough room to add insulation to the cavity of the EcoStud.



Mounting Appliances

Objects less than 5 pounds

Cut a 2x4" to 23 3/4" for studs spaced at 24" centers. Screw into 2x4's from the side of each stud as depicted.



Objects greater than 5 pounds

First, rip a wood 2x4" to 3" so it will fit inside of the EcoStud. Then place the rip inside the EcoStud and screw as depicted. This will insure strength for mounting heavy appliances